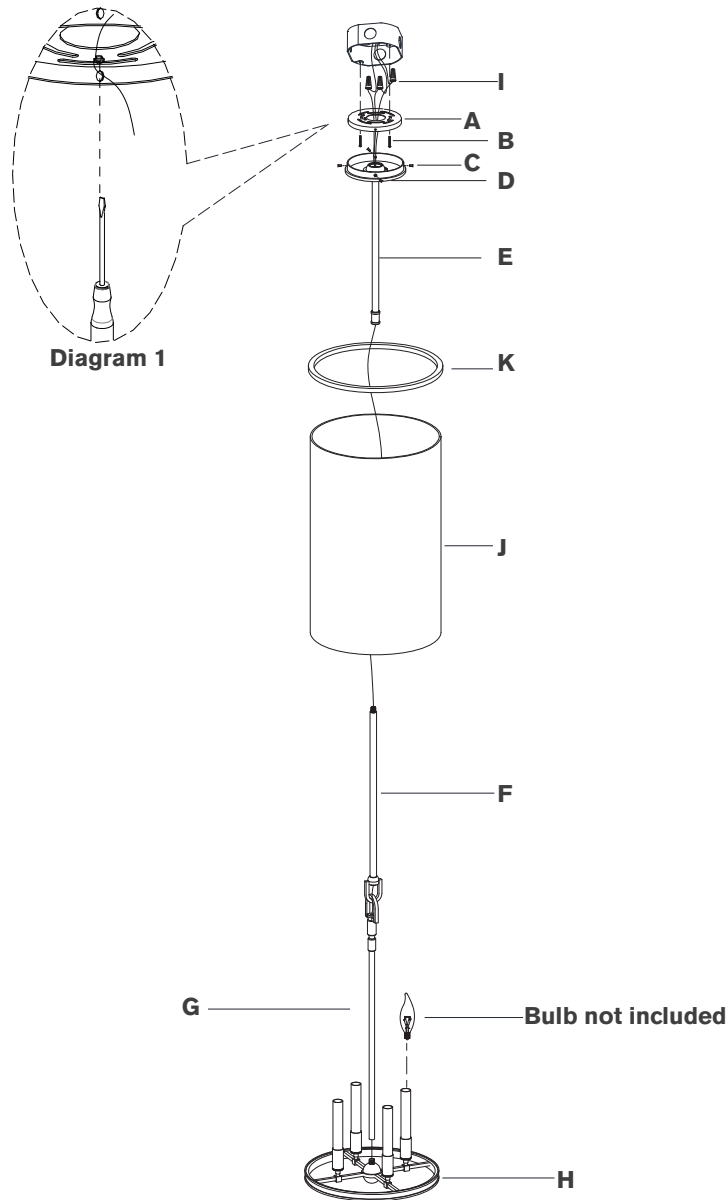


ASSEMBLY INSTRUCTIONS



Modern Large Lantern

Item # RL 5177

NOTICE:

This light fixture should be installed in accordance with all applicable, local installation codes, and by a person familiar with the construction and operation of it, as well as the hazards involved. Inspect item and contents carefully. If any damage or defect is found, do not install. Retain all packaging material until installation is complete and approved.

TOOLS REQUIRED (NOT INCLUDED):

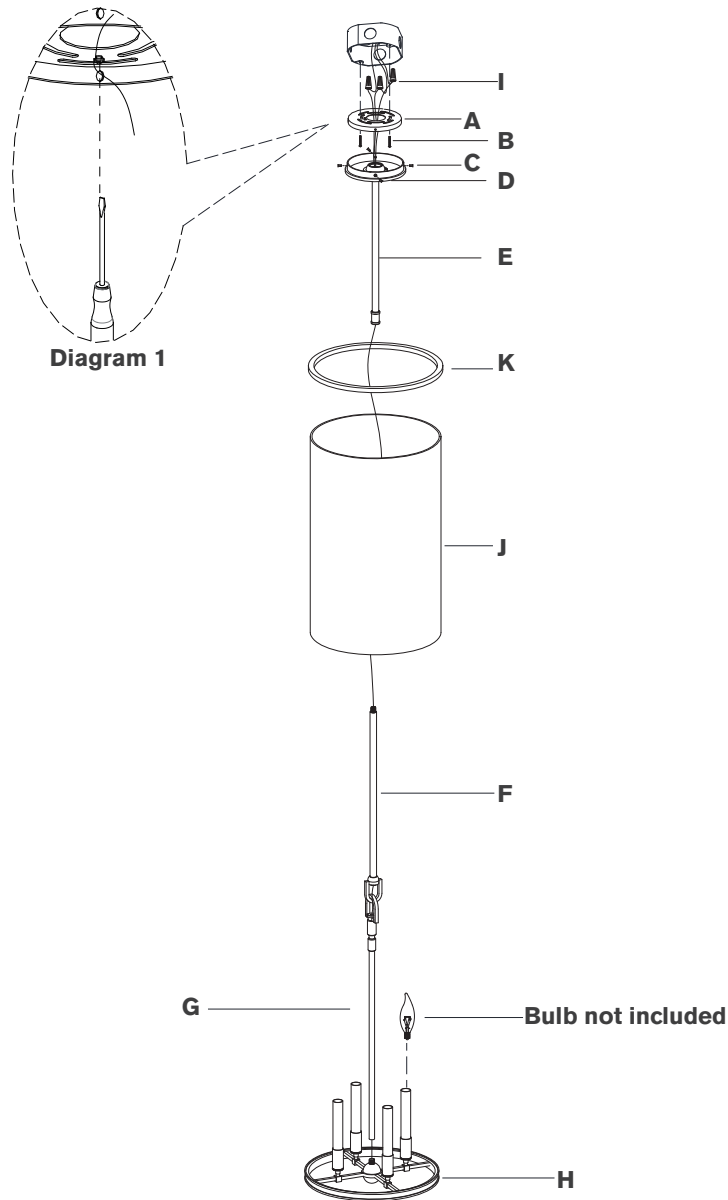
| | | |
|----------------------|---------------------|----------------|
| Phillips Screwdriver | Slotted Screwdriver | Wire Strippers |
| Slip Joint Pliers | Measuring Tape | Wire Cutters |

1. Carefully remove all parts from the box. Place on a clean, soft surface.
2. Remove mounting plate (A) from canopy (D) by removing screws (C).
3. Install mounting plate (A) to junction box and secure with mounting screws (B).
4. Feed fixture wire and ground wire through rod (G) and rod (F), then thread rod (G) to fixture body (H).
5. Insert light bulbs into the sockets.
6. Place shade (J) on fixture body (H), then place ring (K) on top of shade (J).
7. Feed fixture wire and ground wire through rod (E) and route all wires through the center of canopy (D), then thread rod (E) to rod (F).
NOTE: When you reach the canopy (D), ensure there is no tension on the wires. Cut excess wires, being sure to leave enough to reach the junction box.
8. Separate two sides of molded wire, and strip insulation on each 5/8".
9. Twist all fixture wires together. Feed through center hole of canopy (D).
NOTE: Untwist wires and separate to prepare for connection.
10. Wrap fixture ground wire (bare copper) around the green grounding screw (see diagram 1). Continue fixture ground wire and connect to supply ground wire (usually green or bare copper) using wire nut (I).
NOTE: It is imperative that the fixture is grounded.

RALPH LAUREN



ASSEMBLY INSTRUCTIONS



Modern Large Lantern

Item # RL 5177

NOTICE:

This light fixture should be installed in accordance with all applicable, local installation codes, and by a person familiar with the construction and operation of it, as well as the hazards involved. Inspect item and contents carefully. If any damage or defect is found, do not install. Retain all packaging material until installation is complete and approved.

11. Connect fixture neutral wire (ribbed) to the supply neutral wire (usually white) using wire nut **(I)**.
12. Connect fixture hot wire (smooth with markings) to the supply hot wire (usually black) using wire nut **(I)**.
CAUTION: Do not reverse the hot and neutral connections.
13. Make sure all wire connections are tight, then carefully tuck into the junction box.
14. Install canopy **(D)** to mounting plate **(A)** by securing with crews **(C)**.

Care Instructions: Clean only with a soft dry cloth or feather duster. Do not use abrasive or chemical agents.

RALPH LAUREN

