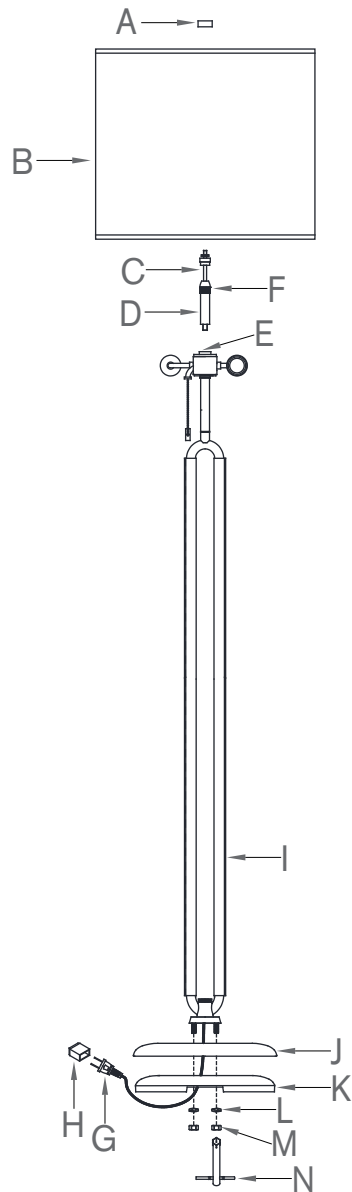


ASSEMBLY INSTRUCTIONS



Cody Large Floor Lamp

Item # RL1533

NOTICE:

This light fixture should be installed in accordance with all applicable, local installation codes, and by a person familiar with the construction and operation of it, as well as the hazards involved. Inspect item and contents carefully. If any damage or defect is found, do not install. Retain all packaging material until installation is complete and approved.

1. Carefully remove all parts from the carton.
2. Join lamp stem (I), lamp base (J) and base weight (K) together, letting bottom nipple of the lamp stem (I) pass through the hole of base weight (K) and lamp base (J).
3. From the underside of base (K), slide the spring washer (L) over the threaded nipple and then thread nut (M) onto the nipple. Use the T-wrench (N) to tighten the nut.
4. Thread the nipple of rod (D) into the opening of part (E) by turning in clockwise direction until tight.
5. Remove finial (A) from rod (C), place lamp shade (B) (not included) over top threaded section of rod (C), and secure with finial (A).
6. Insert light bulb into the socket.
7. Remove plastic cover (H) from electrical plug (G).
8. Plug lamp into wall outlet.

ADJUSTMENT INSTRUCTIONS

1. Loosen the break (F) by turning in counter-clockwise direction.
2. Adjust rod (C) up or down to desired height.
3. Tighten the break (F) by turning in clockwise direction.

RALPH LAUREN

