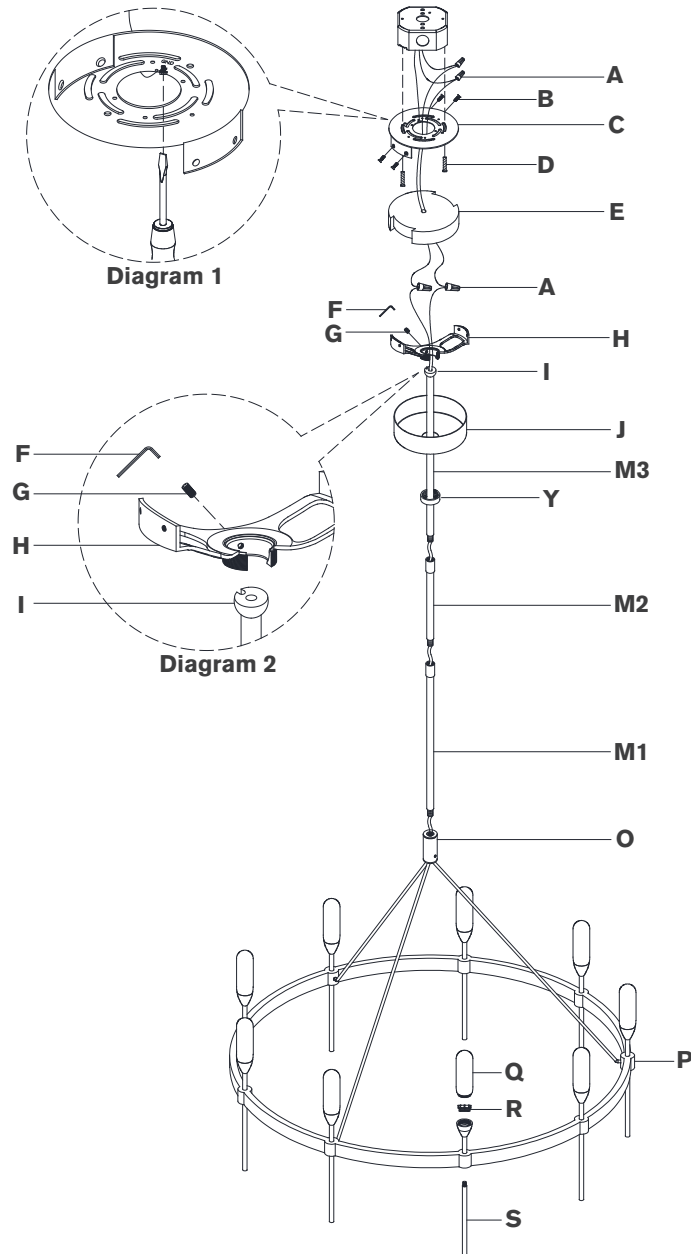


ASSEMBLY INSTRUCTIONS



Overture Medium Ring Chandelier

Item # PB 5030

NOTICE:

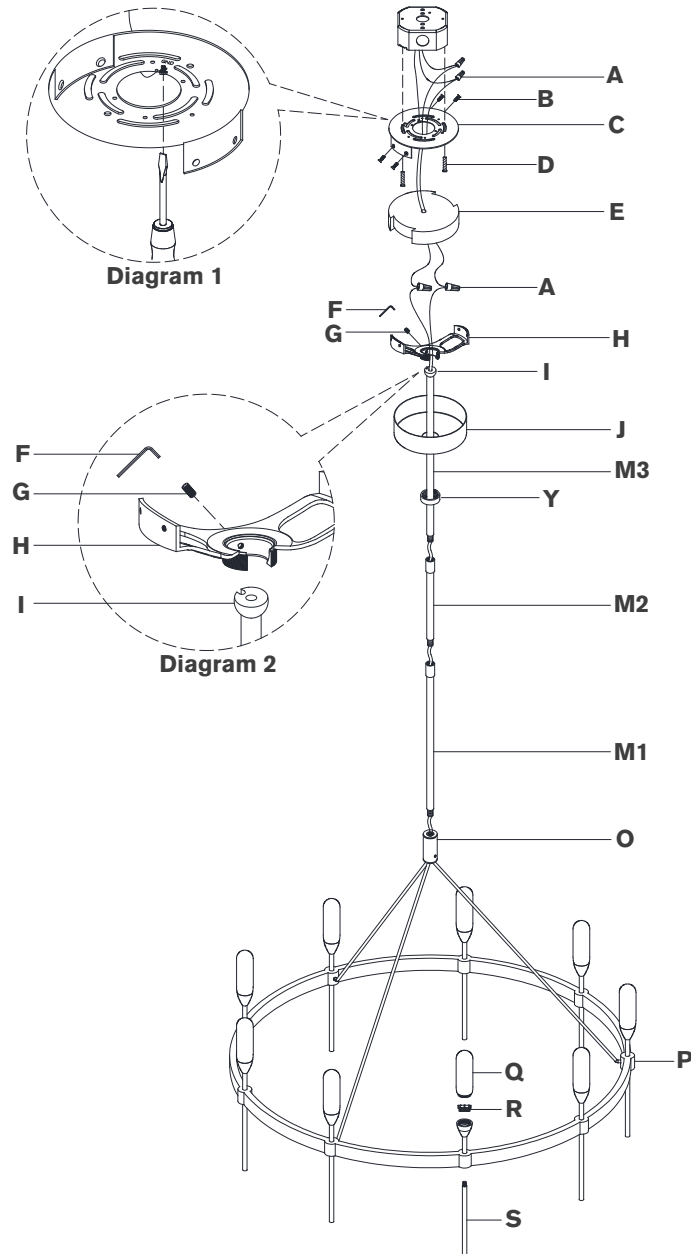
This light fixture should be installed in accordance with all applicable, local installation codes, and by a person familiar with the construction and operation of it, as well as the hazards involved. Inspect item and contents carefully. If any damage or defect is found, do not install. Retain all packaging material until installation is complete and approved.

TOOLS REQUIRED (NOT INCLUDED):

Phillips Screwdriver Slotted Screwdriver Wire Strippers

- Carefully remove all parts from the box. Place on a clean, soft surface.
- Remove mounting plate **(C)** from canopy **(J)** by removing collar ring **(Y)**.
- Remove mounting plate bracket **(H)** from mounting plate **(C)** by removing screws **(B)**.
- Install mounting plate **(C)** to the junction box and secure with mounting screws **(D)**.
- Connect supply ground wire (usually green or bare copper) around the green grounding screw (see diagram 1). Tighten.
NOTE: It is imperative that the fixture is grounded.
- Connect driver **(E)** input neutral wire (white) to the supply neutral wire (usually white) using wire nut **(A)**.
- Connect driver **(E)** input hot wire (black) to the supply hot wire (usually black) using wire nut **(A)**.
CAUTION: Do not reverse the hot and neutral connections.
- Make sure all wire connections are tight, then carefully tuck into the junction box.
- Place driver **(E)** onto the mounting plate bracket **(H)**, then install to mounting plate **(C)** and secure with screws **(B)**.
- Feed electrical wire through bottom rod **(M1)** and thread to hub **(O)**. Repeat for middle rod **(M2)**, connecting to bottom rod **(M1)**.
- Continue feeding wire through collar ring **(Y)**, canopy **(J)** and top rod **(K)**.

ASSEMBLY INSTRUCTIONS



Overture Medium Ring Chandelier

Item # PB 5030

NOTICE:

This light fixture should be installed in accordance with all applicable, local installation codes, and by a person familiar with the construction and operation of it, as well as the hazards involved. Inspect item and contents carefully. If any damage or defect is found, do not install. Retain all packaging material until installation is complete and approved.

12. Holding fixture upright, slide collar ring (**Y**) and canopy (**J**) down and rest on hub (**O**). Then connect top rod (**M3**) to middle rod (**M2**).
NOTE: Slide components down slowly to avoid damages.
13. Hang fixture swivel ball (**I**) to center of bracket (**H**) and secure with set screw (**G**) using provided wrench (**F**). See diagram 2.
14. Cut excess wire, being sure to leave enough to reach the junction box.
15. Remove outer housing of wire by making a neat cut all the way around, about 1" from the end. Make sure not to cut too deep or electrical wires could be damaged underneath. Once cut is made, remove and discard the 1" piece of housing off the end, exposing the electrical wires.
16. Separate wire and strip insulation on each 5/8".
17. Connect fixture neutral wire (black) to driver (**E**) output wire (black) using wire nut (**A**).
18. Connect fixture hot wire (red) to driver (**E**) output wire (red) using wire nut (**A**).
CAUTION: Do not reverse the hot and neutral connections.
19. Install canopy (**J**) to mounting plate bracket (**H**) and secure with collar ring (**Y**).
20. Thread rods (**S**) to fixture body (**P**).
21. Remove protective covers (**R**) from socket, then thread shades (**Q**) to sockets.
NOTE: Do not overtighten otherwise shade could become damaged.

Care Instructions: Clean only with a soft dry cloth or feather duster. Do not use abrasive or chemical agents.

ASSEMBLY INSTRUCTIONS

Overture Medium Ring Chandelier

Item # PB 5030

NOTICE:

This light fixture should be installed in accordance with all applicable, local installation codes, and by a person familiar with the construction and operation of it, as well as the hazards involved. Inspect item and contents carefully. If any damage or defect is found, do not install. Retain all packaging material until installation is complete and approved.

Inverted Installation:

1. Carefully remove all parts from the box. Place on a clean, soft surface.
2. Loosen set screw **(S)** using provided wrench **(X)**, then unscrew hub **(O)** from base **(V)**. See diagram 3.
3. Loosen bottom screws on terminal block **(T)** and screws **(Z)** on cable nut **(Y)**, then remove wires and separate.
4. Loosen set screws **(U)** and remove cables **(W)** from base **(V)**. Turn fixture over, then re-assemble cables **(W)** to base **(V)**, securing with set screws **(U)**.
5. Install cable nuts **(Y)** to end of hanging cables. Insert other end of hanging cable **(Y)** through the cable lock and tighten screw ends **(Z)** with a screwdriver to secure. See diagram 4.
6. Twist fixture neutral wires (black) together, then insert into terminal block neutral **(N)** and secure screw. See diagram 4.
7. Twist fixture line wires (red) together, then insert into terminal block line **(L)** and secure screw. See diagram 4.
8. Install hub **(O)** to hub base **(V)** and secure with set screw **(S)** using provided wrench **(X)**.

Care Instructions: Clean only with a soft dry cloth or feather duster. Do not use abrasive or chemical agents.

