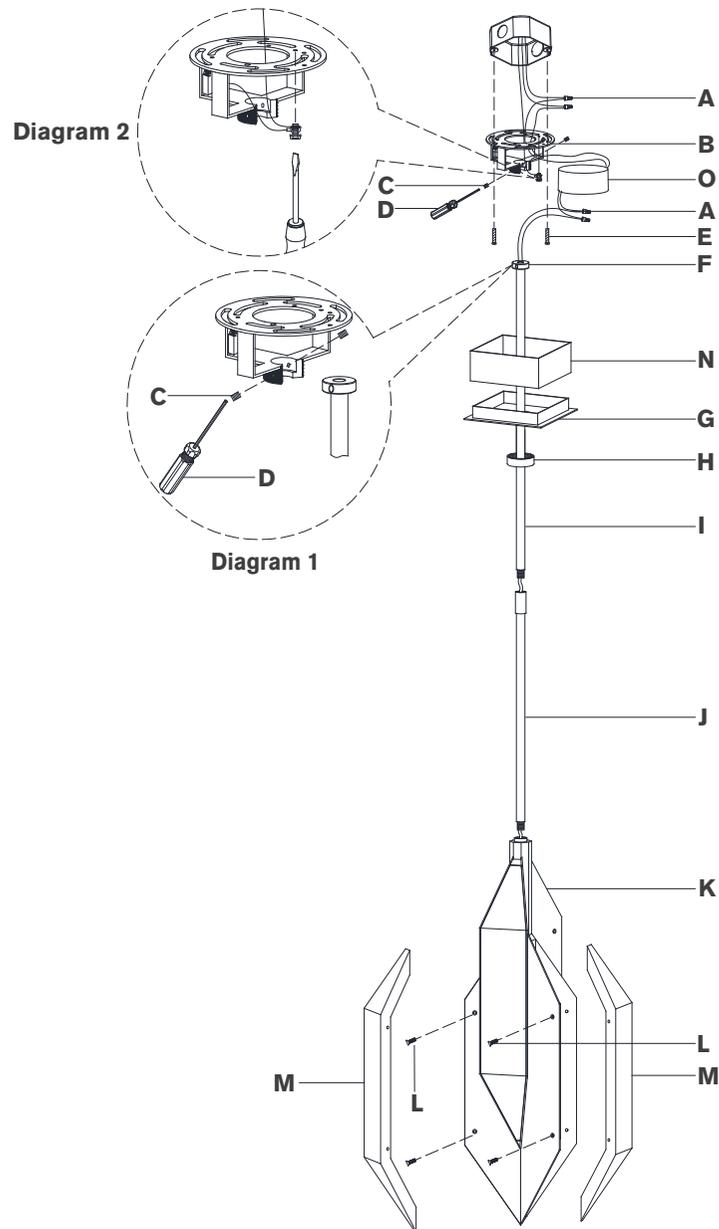


ASSEMBLY INSTRUCTIONS

Option 1: Canopy Mounted Driver



Ophelion Small Pendant

Item # KW 5721

NOTICE:

This light fixture should be installed in accordance with all applicable, local installation codes, and by a person familiar with the construction and operation of it, as well as the hazards involved. Inspect item and contents carefully. If any damage or defect is found, do not install. Retain all packaging material until installation is complete and approved.

TOOLS REQUIRED (NOT INCLUDED):

Phillips Screwdriver Slotted Screwdriver Wire Cutters
Wire Strippers

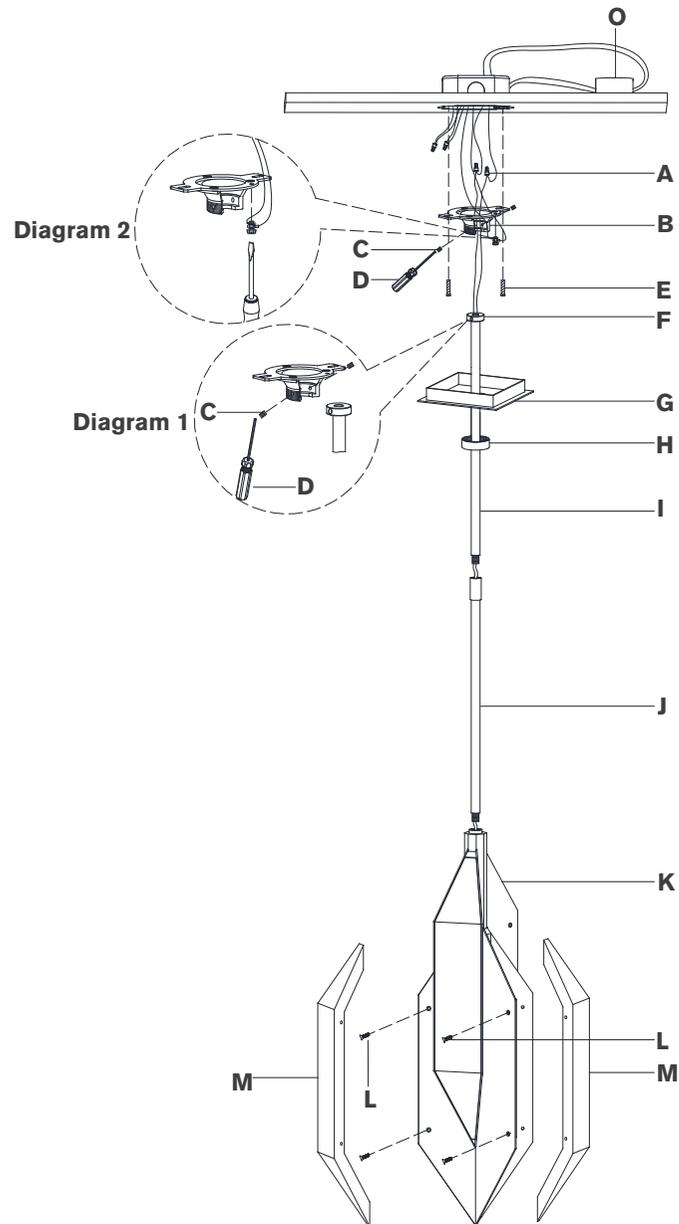
1. Carefully remove all parts from the box. Place on a clean, soft surface.
2. Remove mounting plate **(B)** from driver housing **(N)** and canopy **(G)** by removing collar ring **(H)**.
3. Install mounting plate **(B)** to the junction box and secure with mounting screws **(E)**.
4. Install alabaster shades **(M)** to fixture **(K)** and secure with screws **(L)**.
5. Feed electrical wire through bottom rod **(J)** and connect to fixture **(K)**.
6. Continue feeding wire through collar ring **(H)**, canopy **(G)**, driver housing **(N)** and top rod **(I)**.
7. Holding fixture upright, slide collar ring **(H)** and canopy **(G)**, driver housing **(N)** down and rest on fixture **(K)**. Then connect top rod **(I)** to bottom rod **(J)**.

NOTE: Slide components down slowly to avoid damages.

8. Hang fixture mount **(F)** to center of mounting plate **(B)** and secure using set screws **(C)** with provided screwdriver **(D)** (see diagram 1).
9. Cut excess wire, being sure to leave about 12" to reach the junction box.
10. Separate wire and strip insulation on each 5/8".

ASSEMBLY INSTRUCTIONS

Option 2: Ceiling Mounted Driver



Ophelion Small Pendant

Item # KW 5721

NOTICE:

This light fixture should be installed in accordance with all applicable, local installation codes, and by a person familiar with the construction and operation of it, as well as the hazards involved. Inspect item and contents carefully. If any damage or defect is found, do not install. Retain all packaging material until installation is complete and approved.

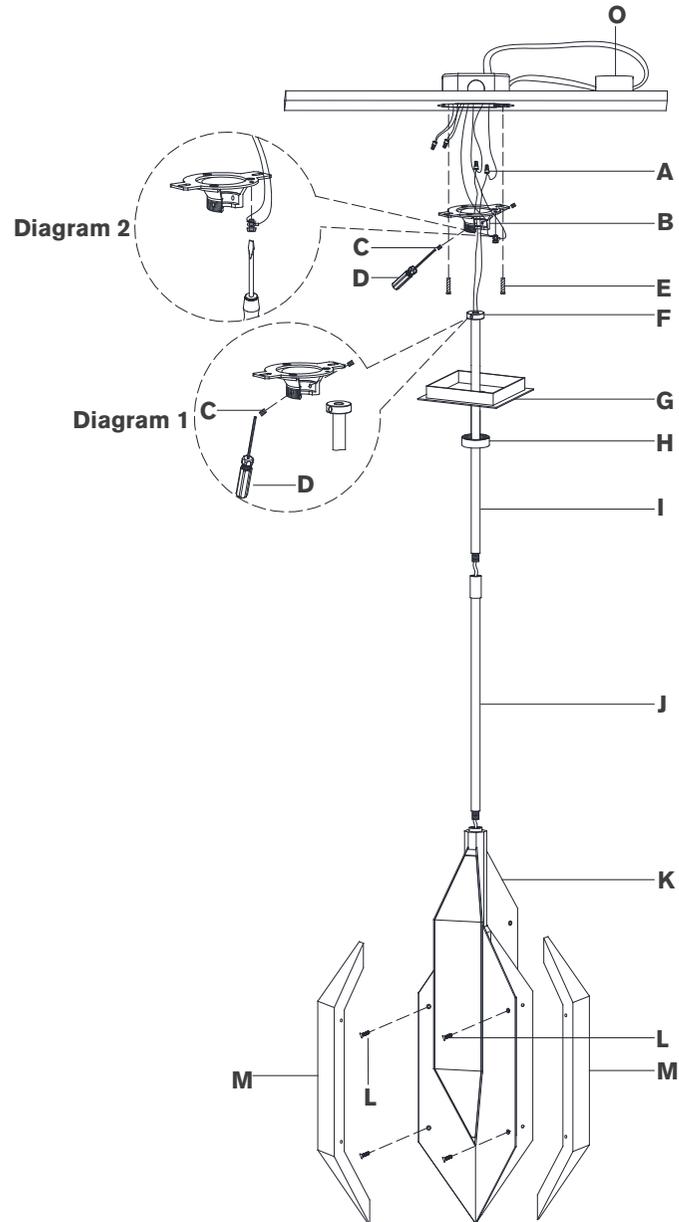
TOOLS REQUIRED (NOT INCLUDED):

Phillips Screwdriver Slotted Screwdriver Wire Cutters
Wire Strippers

1. Carefully remove all parts from the box. Place on a clean, soft surface.
2. Place driver **(O)** into ceiling and route all wires through one of the knockouts in the junction box.
3. Remove mounting plate **(B)** from canopy **(G)** by removing collar ring **(H)**.
4. Install mounting plate **(B)** to the junction box and secure with mounting screws **(E)**.
5. Install alabaster shades **(M)** to fixture **(K)** by securing with screws **(L)**.
6. Feed electrical wire through bottom rod **(J)** and connect to fixture **(K)**.
7. Continue feeding wire through collar ring **(H)**, canopy **(G)** and top rod **(I)**.
8. Holding fixture upright, slide collar ring **(H)** and canopy **(G)** down and rest on fixture **(K)**. Then connect top rod **(I)** to bottom rod **(J)**.
NOTE: Slide components down slowly to avoid damages.
9. Hang fixture mount **(F)** to center of mounting plate **(B)** and secure using set screws **(C)** with provided screwdriver **(D)** (see diagram 1).
10. Cut excess wire, being sure to leave about 12" to reach the junction box.
11. Separate wire and strip insulation on each 5/8".

ASSEMBLY INSTRUCTIONS

Option 2: Ceiling Mounted Driver



Ophelion Small Pendant

Item # KW 5721

NOTICE:

This light fixture should be installed in accordance with all applicable, local installation codes, and by a person familiar with the construction and operation of it, as well as the hazards involved. Inspect item and contents carefully. If any damage or defect is found, do not install. Retain all packaging material until installation is complete and approved.

12. Connect fixture neutral wire (black) to driver (O) output wire (black) using wire nut (A).
13. Connect fixture hot wire (red) to driver (O) output wire (red) using wire nut (A).
14. Connect supply ground wire (usually green or bare copper) around the green grounding screw (see diagram 2). Tighten.
NOTE: It is imperative that the fixture is grounded.
15. Connect driver (O) input neutral wire (white) to the supply neutral wire (usually white) using wire nut (A).
16. Connect driver (O) input hot wire (black) to the supply hot wire (usually black) using wire nut (A).
CAUTION: Do not reverse the hot and neutral connections.
17. Make sure all wire connections are tight, then carefully tuck into the junction box.
18. Install canopy (G) to mounting plate (B) and secure with collar ring (H).

Care Instructions: Clean only with a soft dry cloth or feather duster. Do not use abrasive or chemical agents.