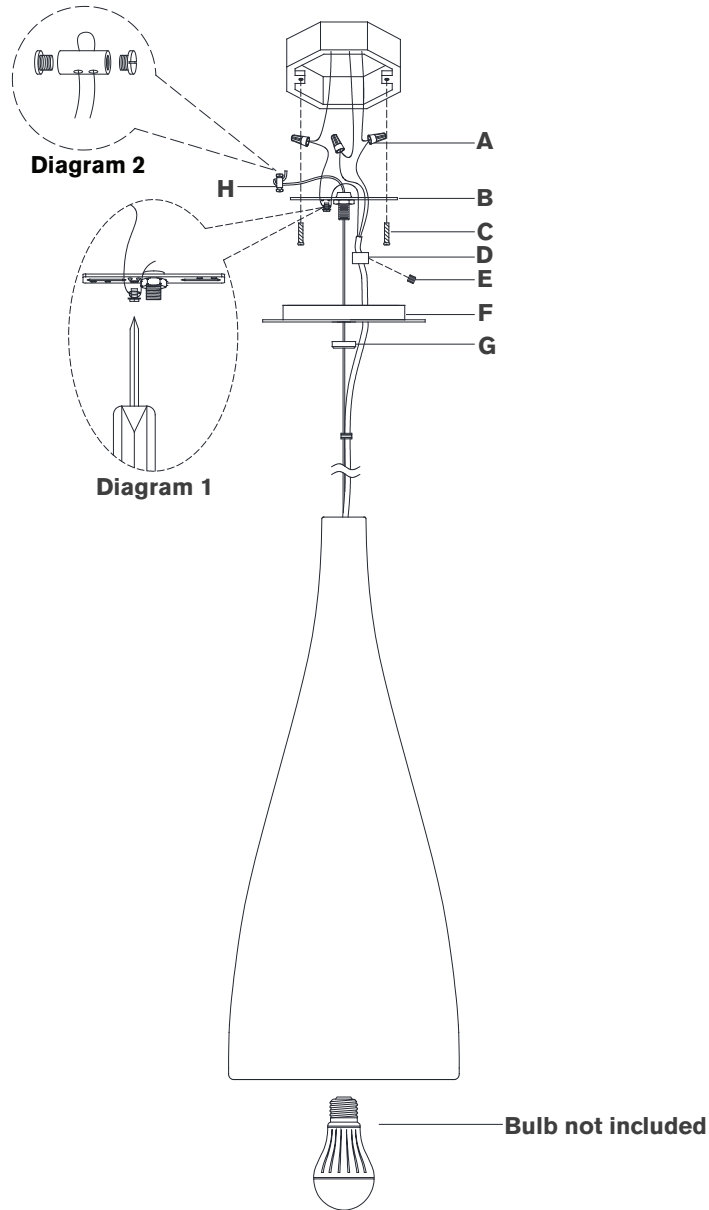


ASSEMBLY INSTRUCTIONS



Nimbus Medium Pendant

Item # BBL 5137

NOTICE:

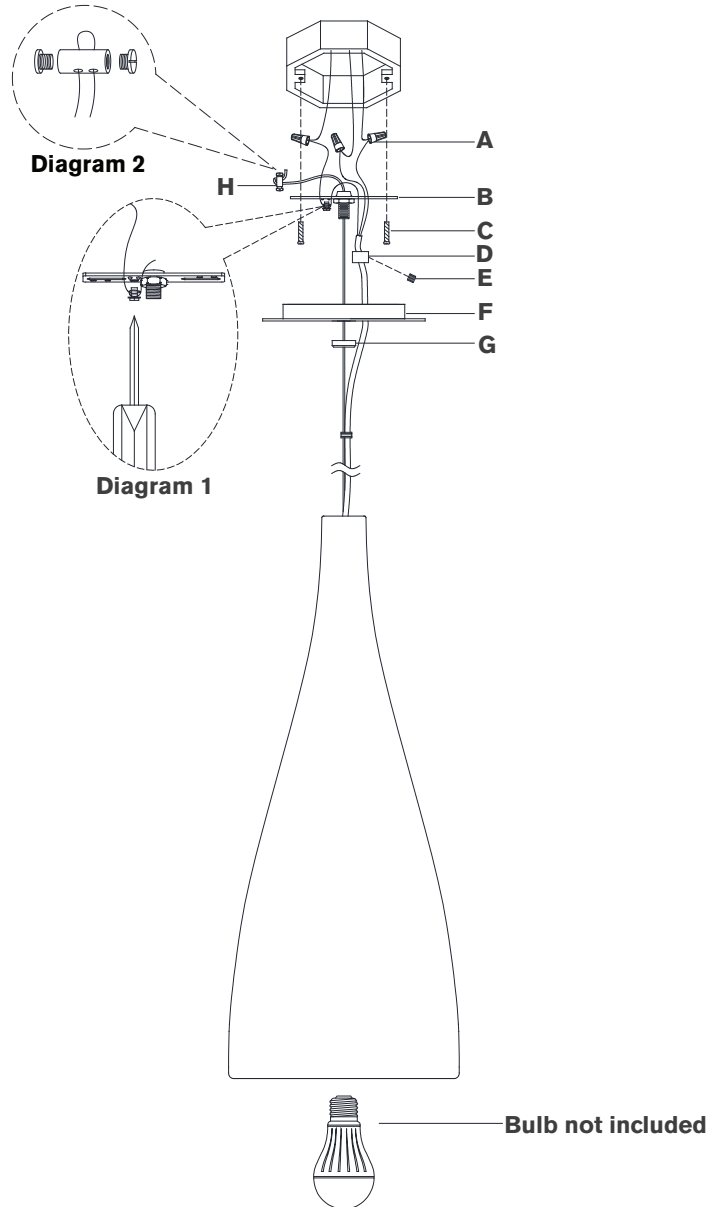
This light fixture should be installed in accordance with all applicable, local installation codes, and by a person familiar with the construction and operation of it, as well as the hazards involved. Inspect item and contents carefully. If any damage or defect is found, do not install. Retain all packaging material until installation is complete and approved.

TOOLS REQUIRED (NOT INCLUDED):

Phillips Screwdriver	Slotted Screwdriver	Measuring Tape
Wire Cutters	Wire Strippers	

1. Carefully remove all parts from the box. Place on a clean, soft surface.
2. Remove mounting plate (B) from canopy (F) by removing collar ring (G).
3. Install mounting plate (B) to junction box and secure with mounting screws (C).
4. Feed hanging cable through collar ring (G), canopy (F) and mounting plate (B).
5. Adjust hanging cable to desired length. Install cable lock (D) to hanging cable and tighten ends with screwdriver as shown in diagram 2.
6. After fixture height is achieved shorten the wires by using a pair of cutters.
NOTE: Make sure fixture height is accurate before cutting wires.
7. Loosen set screw (E) on wire stop (D), then feed fixture electrical wire through canopy (F) and wire stop (D). Adjust wire to desired length then tighten set screw (E).
NOTE: Make sure there is no tension on the electrical wire when fixture is fully extended.
8. Cut excess wire, being sure to leave about **12"** to reach the junction box.

ASSEMBLY INSTRUCTIONS



Nimbus Medium Pendant

Item # BBL 5137

NOTICE:

This light fixture should be installed in accordance with all applicable, local installation codes, and by a person familiar with the construction and operation of it, as well as the hazards involved. Inspect item and contents carefully. If any damage or defect is found, do not install. Retain all packaging material until installation is complete and approved.

9. Remove outer housing of wire by making a neat cut all the way around, about 1" from the end. Once cut is made, remove and discard the 1" piece of housing, exposing the electrical wires.

NOTE: Make sure not to cut too deep into housing or electrical wires could become damaged.

10. Separate wires, and strip insulation on each 5/8".

11. Wrap fixture ground wire (green) around the green grounding screw (see diagram 1). Continue fixture ground wire and connect to supply ground wire (usually green or bare copper) using wire nut (A).

NOTE: It is imperative that the fixture is grounded.

12. Connect fixture neutral wire (white) to the supply neutral wire (usually white) using wire nut (A).

13. Connect fixture hot wire (black) to the supply hot wire (usually black) using wire nut (A).

CAUTION: Do not reverse the hot and neutral connections.

14. Make sure all wire connections are tight, then carefully tuck into the junction box.

15. Install canopy (F) to mounting plate (B) by securing with collar ring (G).

16. Install light bulb (not included) into the socket.

Care Instructions: Clean only with a soft dry cloth or feather duster. Do not use abrasive or chemical agents.