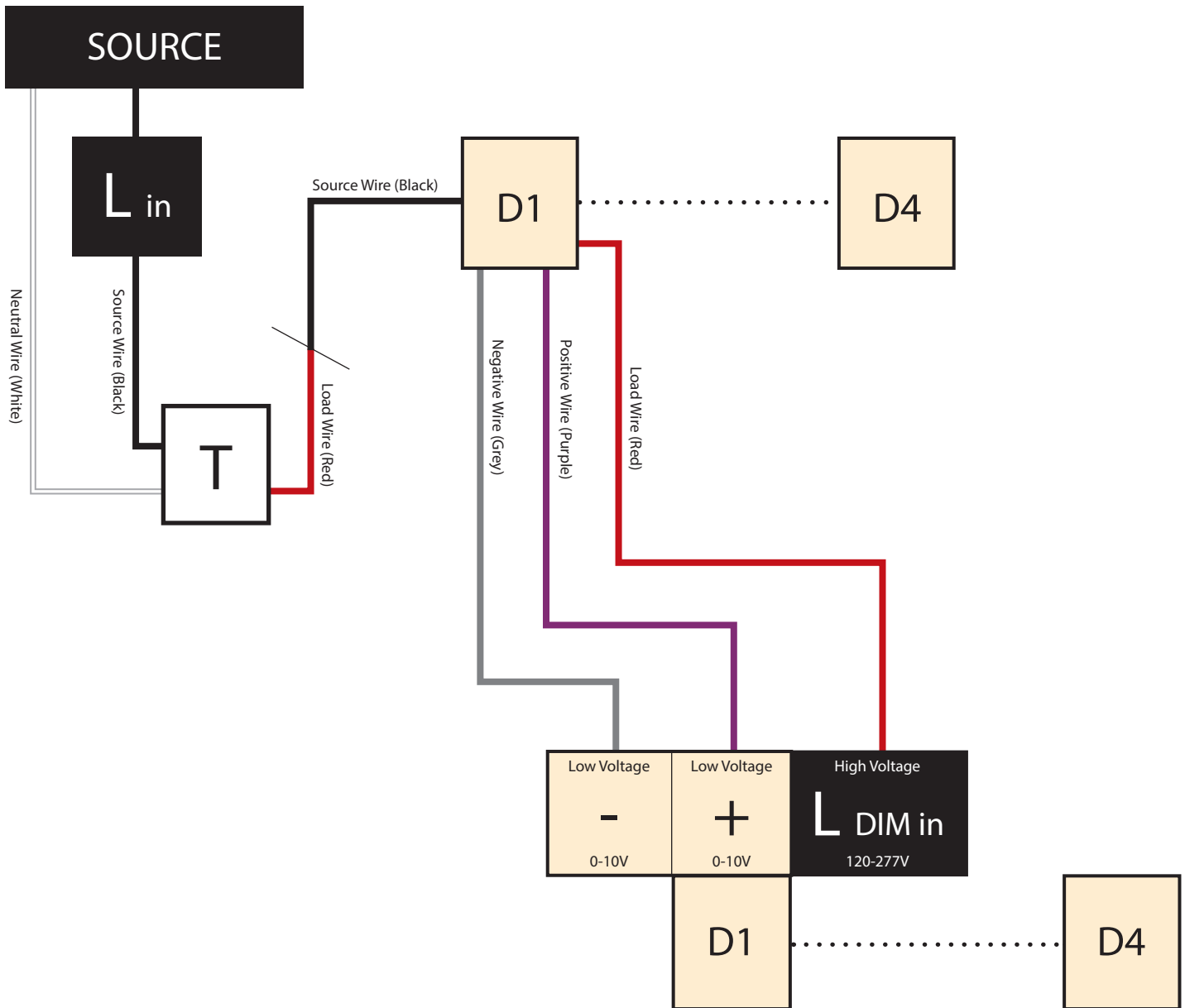


# HOW TO WIRE A TIMER AND DIMMER TO THE CONTROLLER

A LICENSED ELECTRICIAN IS REQUIRED TO INSTALL THIS PRODUCT.



Note 1: Neutral / white wire should be capped if timer and/or dimmer is not required.

Note 2: If one timer is used to control more than 1 dimmer, join the red wire from the timer to the black wire of all the dimmers.



## ELECTRIC SHOCK HAZARD!

- Serious injury or death may occur. Disconnect from electrical supply before installing or servicing this heater. Read and follow installation clearance requirements outlined in this manual. The Appliance **MUST** be connected to a properly grounded electrical source.