

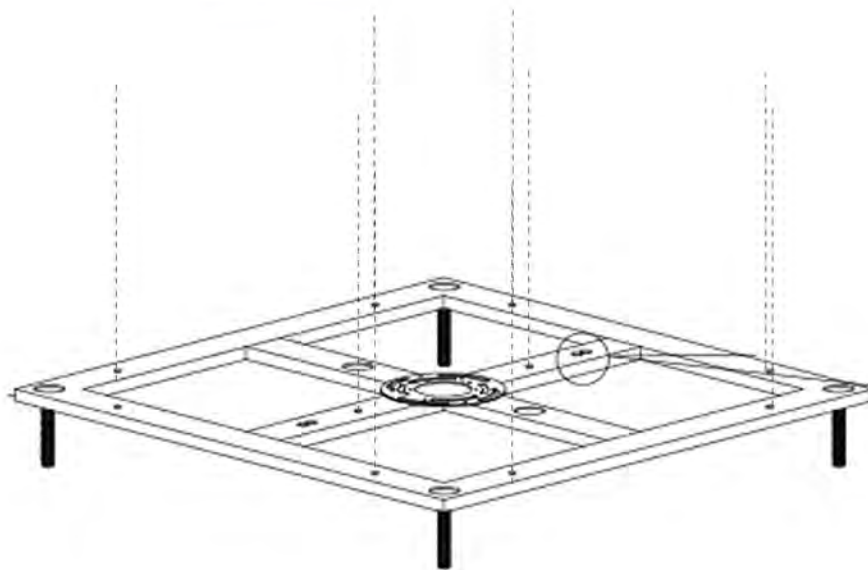
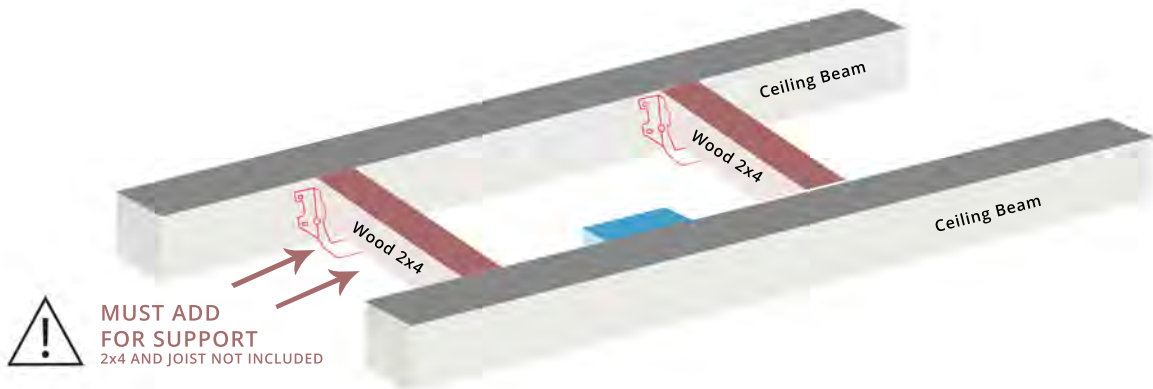
## Mounting Bracket Installation

Note: Must be installed by a licensed electrician

"Warning: This is a heavy ceiling light fixture and requires a sturdy brace to support its weight. The drywall or plaster of the ceiling is not strong enough to support the weight of this fixture.

A wooden support brace must be added between ceiling joists that provides ample strength for mounting this light fixture. See Below."

**\*SECURE ALL CORNERS TO SOLID WOOD BEAMS AND/OR JOIST BEAMS WITH THE HEAVY DUTY WOOD SCREWS (Included)**



## Installation

Note: Must be installed by a licensed electrician

### SAFETY PRECAUTIONS:



1. TURN OFF ELECTRICAL POWER BEFORE STARTING INSTALLATION OF LIGHT FIXTURE.
2. THIS PRODUCT MUST BE INSTALLED IN ACCORDANCE WITH THE APPLICABLE INSTALLATION CODE BY A PERSON FAMILIAR WITH THE CONSTRUCTION AND OPERATION OF THE PRODUCT AND THE HAZARDS INVOLVED.
3. CONNECT THE GROUND WIRE (BARE COPPER OR GREEN) FROM YOUR FIXTURE TO THE GROUND WIRE (BARE COPPER OR GREEN) OR GROUND SCREW IN THE ELECTRICAL OUTLET BOX.
4. CLEAN CRYSTAL WITH WATER ONLY.

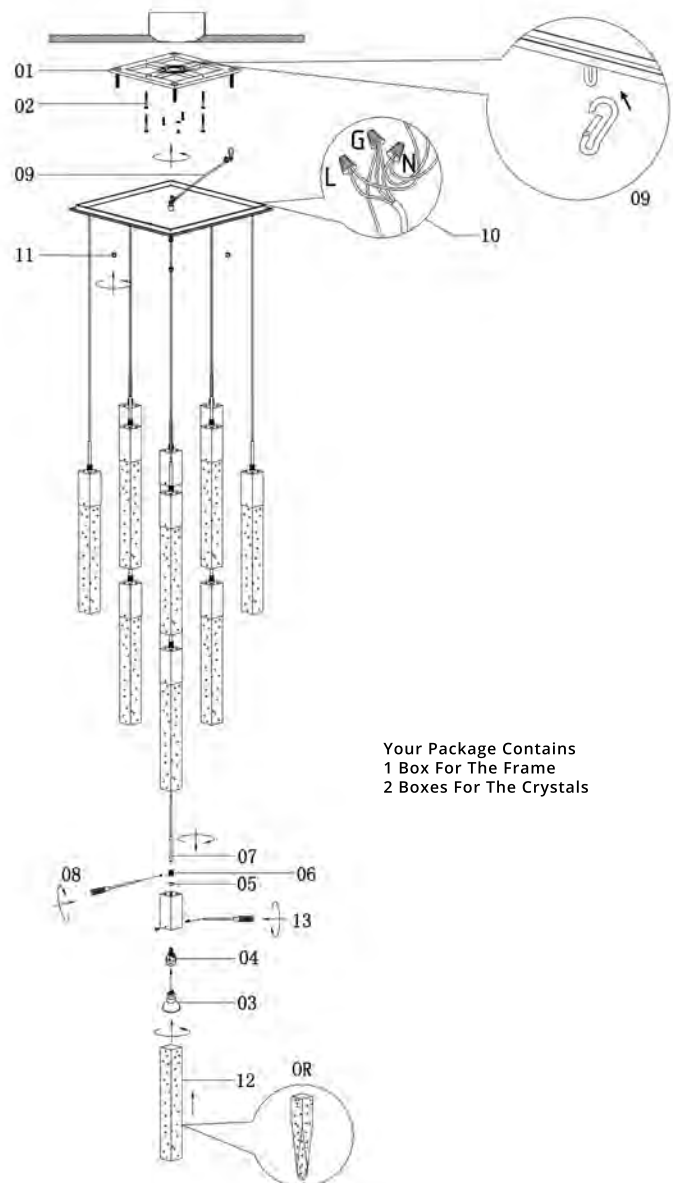
1. Attach the mounting bracket (See Page 1). Secure all corners to solid wood beams and/or joist beams with the heavy duty wood screws. (Heavy Duty Wood Screws Included)

2. Attach the steel safety cable from the canopy to the bracket (See Figure 9).

3. Connect the ground wires (bare copper or green) from your fixture to the ground wire (bare copper or green) or ground screw in the electrical outlet box. Connect the black wire from the fixture to the black wire in the electrical box and connect the white wire from the fixture to the white wire in the electrical box. (See Figure 10).

4. Once connections of wires are completed, carefully tuck wires and wire nuts into the outlet box making sure no bare wire (on the black and white) is visible at the wire nuts. Slide canopy into position and tighten in place by nut into position. (See Figure 11).

5. Position the crystal in the cup. Secure the crystal in place using the provided screws on cup. (See Figure 12 & 13).



Your Package Contains  
 1 Box For The Frame  
 2 Boxes For The Crystals

GU10 BASE LED 6 WATT -120V - 380 Lumens - 3000K  
 ELECTRIC: Suitable for the use of 110~130V and 60Hz.

Recommended Dimmers:  
 Lutron: NOVA NLV-600-WH, MAESTRO MAELV-600-WH,  
 DIVA DVELV-303P-WH, RADIO RA2 RRD-6ND-WH

Leviton: VIZIA DECORA CAT-NO.VPE06-1LZ, ILLUMATECH  
 SLIDE DIMMER IPE04-1LZ, DECORA DSE06-10Z